

## Portsea 1500 Double

### SPECIFICATION

#### FEATURES

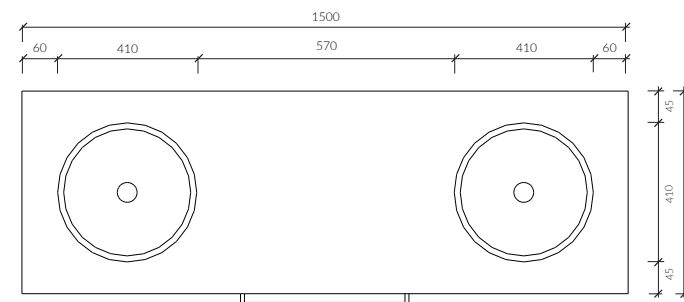
- Freestanding or Wall Hung vanity: 1500Lmm x 510Dmm x 880Hmm
- Hand-made and finished.
- E-1, non toxic, moisture resistant MDF board.
- Strength and durability created through reinforced internal structure.
- Two spacious drawers fitted with quality metal drawer runners and hinges.

#### TOP/BASIN OPTIONS

- Round white ceramic top mount basins.
- Artistone white top.

Note: Mirrors, Wastes and Tapware not included.

Vanity By Design vanities include a 5 year warranty on cabinets and tapware. 12 month warranty on tops, basins, mirrors, mirror shelves and mirror cabinets.



Polar White

Sable

Natural

Japan Black

#### PLUMBING NOTE

Plumbing fixtures must be installed by a qualified plumber (waste not supplied). Vanity must be installed by a qualified tradesperson. Failure to do so may void the warranty.

#### CAUTION

Components may be heavy and require two people to lift. Do not stand or sit on vanity.

#### ENQUIRIES

[www.vanitybydesign.com.au](http://www.vanitybydesign.com.au)

**BRISBANE  
SYDNEY**

241 Monier Road, Darra Qld 4076 / **Tel:** 07 3376 6055  
6.02, 75 Mary St, St Peters NSW 2044 / **Tel:** 02 9550 4987



## INSTALLATION

1. Unpack all components and remove packaging material.
2. Locate and mark the wall studs in the wall directly behind where the vanity is to be fitted. Subtract the height of the cabinet and top from the desired overall height; this gives you the height to the underside of the cabinet from the floor.
3. Mark a line on the wall at the height of the bottom of the cabinet and screw the supplied blocks of wood to the wall on the lower side of this line. These blocks of wood are for the cabinet to sit on so it is preferable that they be screwed directly to the wall stud. Note: make sure the timber blocks will not be visible from the sides when vanity is installed.
4. Remove drawers. Drill holes through the back of the cabinet for the screws to go through, it is preferable for these holes to line up with the wall studs as it is this fixing point that carries the majority of the weight of this unit.
5. Lift the cabinet only to sit on the blocks of wood. Removing the drawers from the cabinet will make this easier; however, some help may be required. While holding the cabinet in place, screw through drilled holes using appropriate sized screws to fix the cabinet to the wall.
6. Once the cabinet is securely fastened to the wall and you are happy with the location, you can proceed to installing the bench top/basin and plumbing.
7. Place the under mount basin into the internal support frame and run a bead of silicon around the top of it.
8. To seal the top, basin and the vanity together, run a bead of silicone around the joins and add silicon bumpers to the corners of top of vanity.
9. Place stone top onto vanity and basin, make sure over hang is even on all sides and wipe off any excess silicon
10. Fit rubber bumpers to the inside corners of the door.
11. The door may have become misaligned through transportation. It can be realigned by gently turning the adjustable hinge screws.



### PLUMBING NOTE

Plumbing fixtures must be installed by a qualified plumber (waste not supplied).  
Vanity must be installed by a qualified tradesperson.  
Failure to do so may void the warranty.

### CAUTION

Components may be heavy and require two people to lift.  
Do not stand or sit on vanity.

### ENQUIRIES

[www.vanitybydesign.com.au](http://www.vanitybydesign.com.au)

**BRISBANE  
SYDNEY**

241 Monier Road, Darra Qld 4076 / **Tel:** 07 3376 6055  
6.02, 75 Mary St, St Peters NSW 2044 / **Tel:** 02 9550 4987