



Harper

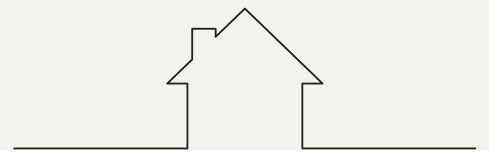
collection

20
24



House Collection

- Harper 900 Single
- Harper 1200 Single
- Harper 1500 Double
- Rubie 460



House Collection



Harper 900

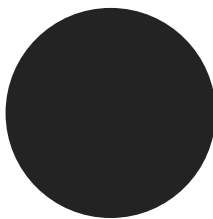
Harper 1200

Harper 1500 Double

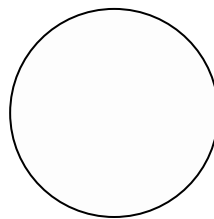
Rubie 460

Cabinet Finish

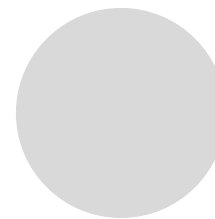
Choose your paint finish | Custom Paint also available upon request



Black



White



Hampton Grey

Bench Top

Subject to availability and chosen design



Snow-Blanc
Crystalline Silica-Free
(Engineered Stone)



Ayla Carrara
Crystalline Silica-Free
(Engineered Stone)

Handles

Choose a finish



Brushed Gold



Chrome



Harper collection

– a testament to classic, enduring design that has been a bestseller for over 15 years. Whether in a traditional or contemporary bathroom, these shaker cabinets, with a legacy spanning two centuries, remain perpetually stylish. Harper embodies timeless beauty and elegance, making it the perfect choice to elevate and enrich your space.

Harper 900 | Single Basin

900 Length x 500 Depth x 880 Height

Harper 1200 | Single Basin

1200 Length x 500 Depth x 880 Height

Harper 1500 | Double Basin

1500 Length x 500 Depth x 880 Height

Please Note!

We have some 2023 similar collections available for immediate pick-up. 23' Stock will have slight differences in overall dimensions!





Harper

Harper 900 Single - 2024

Cabinet Size: 880mm (L) X 490mm (D) X 860mm (H)

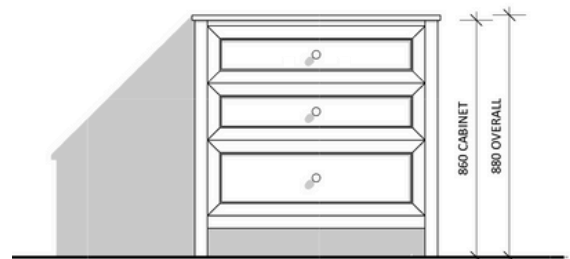
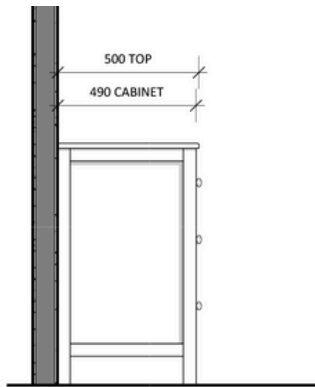
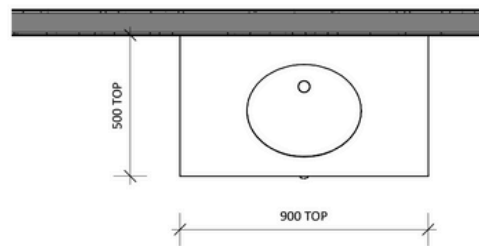
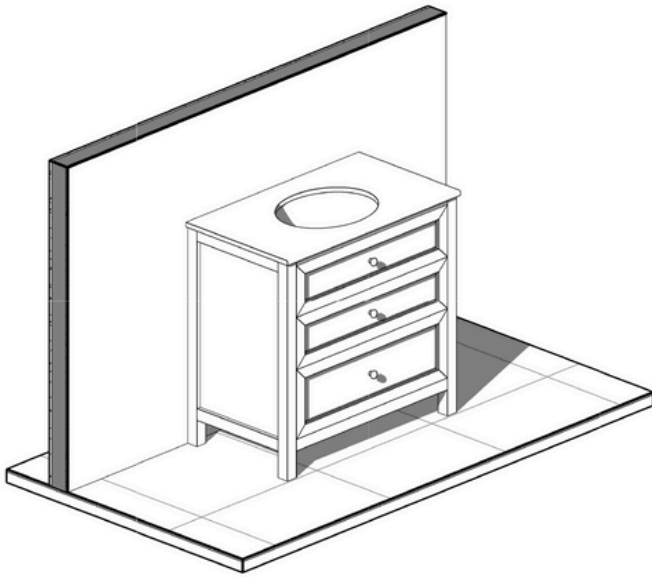
Top Size: 900mm (L) X 500mm (D) X 20mm (H)

Type: Freestanding

Basin: Oval Under-mount Ceramic Basin

Please Note!

We have some 2023 similar collections available for immediate pick-up. 23' Stock will have slight differences in overall dimensions!



Notes:

- Wastes and faucets are not included.
- Vanity unit must be installed by a qualified tradesmen - Failure to do so will void the warranty.
- Plumbing fixtures must be installed by a qualified plumber - Failure to do so will void the warranty.
- Warranty information: 5 years on cabinet & 12 months on top and basin(s).
- Caution boxes may be heavy and will require 2 people to lift.



vanitybydesign.com.au



[vanitybydesign_](https://www.instagram.com/vanitybydesign_)



TEL: 07 [3376 6055](tel:0733766055)



241 Monier Road
Darra, QLD, 4076

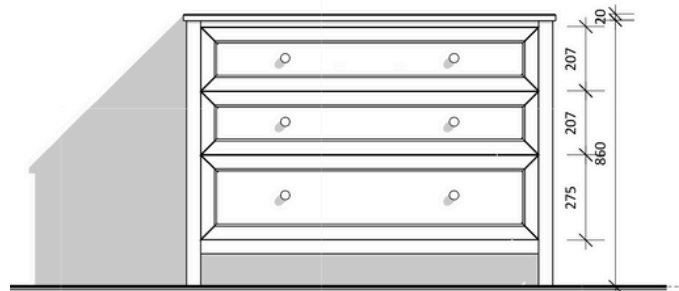
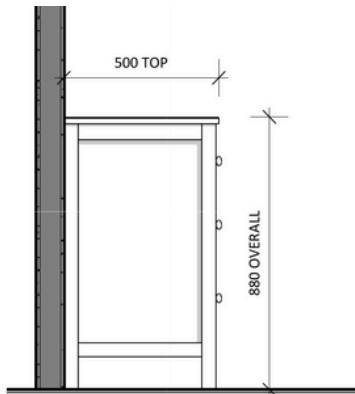
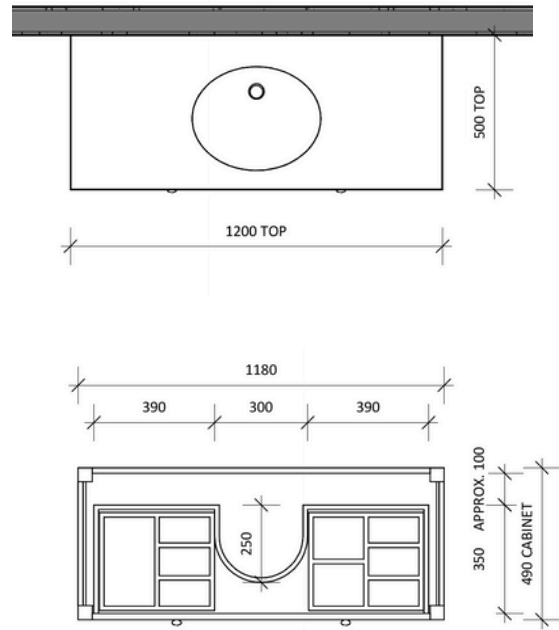
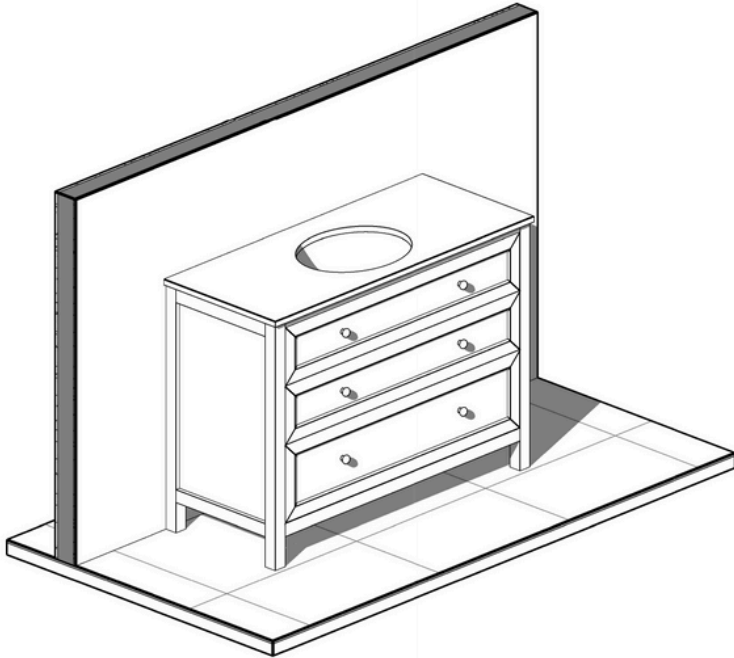


Harper

Harper 1200 Single - 2024

Cabinet Size: 1180mm (L) X 490mm (D) X 860mm (H)
Top Size: 1200mm (L) X 500mm (D) X 20mm (H)
Type: Freestanding | Basin: Oval Under-mount Ceramic Basin

Please Note!
We have some 2023 similar collections available for immediate pick-up. 23' Stock will have slight differences in overall dimensions!



Notes:

- Wastes and faucets are not included.
- Vanity unit must be installed by a qualified tradesmen - Failure to do so will void the warranty.
- Plumbing fixtures must be installed by a qualified plumber - Failure to do so will void the warranty.
- Warranty information: 5 years on cabinet & 12 months on top and basin(s).
- Caution boxes may be heavy and will require 2 people to lift.



vanitybydesign.com.au



vanitybydesign_



TEL: 07 3376 6055



241 Monier Road
Darra, QLD, 4076



Harper

Harper 1500 Double - 2024

Cabinet Size: 1480mm (L) X 490mm (D) X 860mm (H)

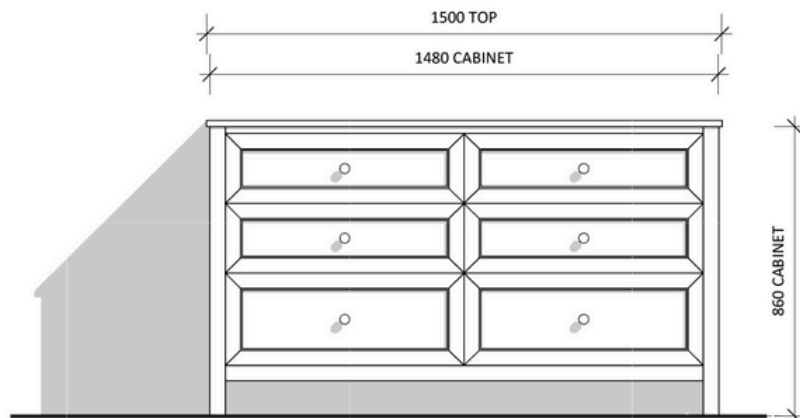
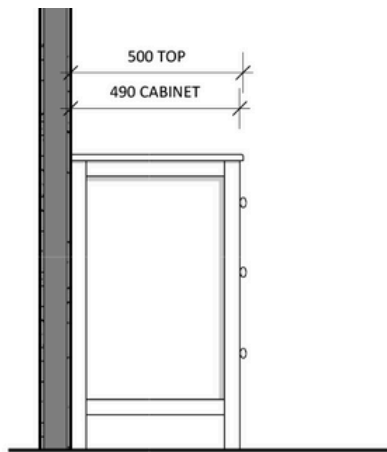
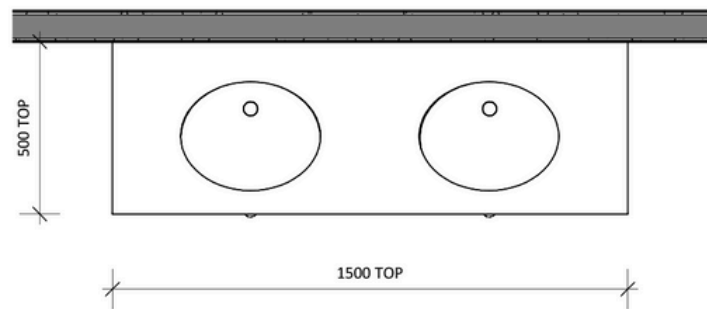
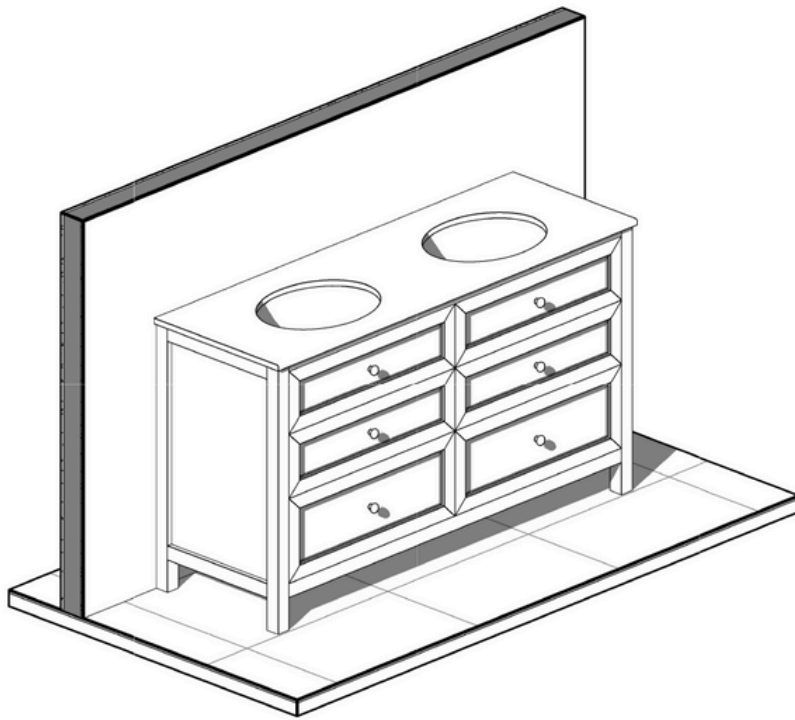
Top Size: 1500mm (L) X 500mm (D) X 20mm (H)

Type: Freestanding

Basin: Oval Under-mount Ceramic Basin

Please Note!

We have some 2023 similar collections available for immediate pick-up. 23' Stock will have slight differences in overall dimensions!



Notes:

- Wastes and faucets are not included.
- Vanity unit must be installed by a qualified tradesmen - Failure to do so will void the warranty.
- Plumbing fixtures must be installed by a qualified plumber - Failure to do so will void the warranty.
- Warranty information: 5 years on cabinet & 12 months on top and basin(s).
- Caution boxes may be heavy and will require 2 people to lift.



vanitybydesign.com.au



[vanitybydesign_](https://www.instagram.com/vanitybydesign_)



TEL: 07 [3376 6055](tel:0733766055)



241 Monier Road
Darra, QLD, 4076



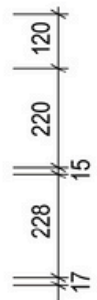
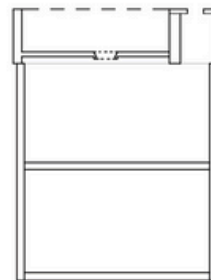
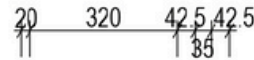
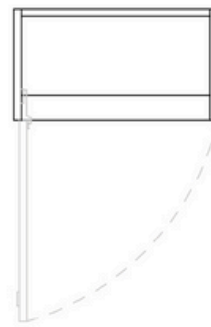
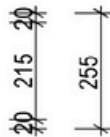
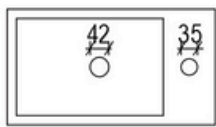
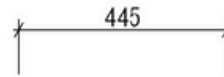
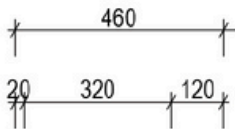
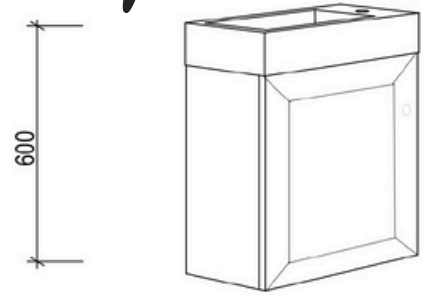
Rubie

Rubie 460

Overall Size: 460mm (L) X 255mm (D) X 600mm (H)

Type: Wall-Hung

*Only Suitable for Mixer Tap



Notes:

- Wastes and faucets are not included.
- Vanity unit must be installed by a qualified tradesmen - Failure to do so will void the warranty.
- Plumbing fixtures must be installed by a qualified plumber - Failure to do so will void the warranty.
- Warranty information: 5 years on cabinet & 12 months on top and basin(s).
- Caution boxes may be heavy and will require 2 people to lift.



vanitybydesign.com.au



[vanitybydesign_](https://www.instagram.com/vanitybydesign_)



TEL: 07 [3376 6055](tel:33766055)



241 Monier Road
Darra, QLD, 4076

V

Customer Photos



@ Leandra Tuck

V



vanitybydesign.com.au



[vanitybydesign_](https://www.instagram.com/vanitybydesign_)



TEL: 07 3376 6055



241 Monier Road
Darra, QLD, 4076