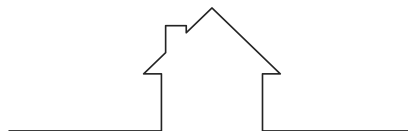




Vanity
BY DESIGN

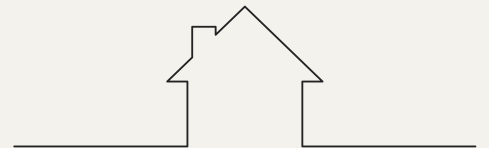
Finn
collection



House Collection

Finn 1200 Single

Finn 1800 Double



House Collection



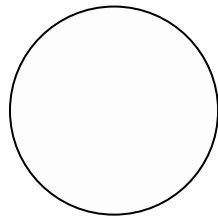
Finn 1200 Single



Finn 1800 Double

Cabinet Finish

-Choose your paint finish | Custom Paint



White

Basin

Client to Nominate



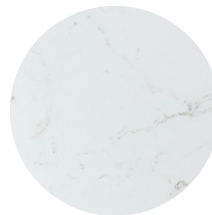
Tommy White or Black (Standard)

Bench Top

Subject to availability and chosen design



Snow-Blanc
Crystalline Silica-Free
(Engineered Stone)



Ayla
Crystalline Silica-Free
(Engineered Stone)

V

Finn

collection

– Introducing the Finn Vanity, a whimsical design that dances with gracefully curved panels. With a charming personality that effortlessly blends fun and elegance, this vanity is poised to captivate your guests.

Finn 1200 | Single Basin

1200 Length x 460 Depth

Finn 1800 | Double Basin

1800 Length x 460 Depth

Please Note!

This model is a 'made to order' collection and is part of our 2024 Signature Styles!

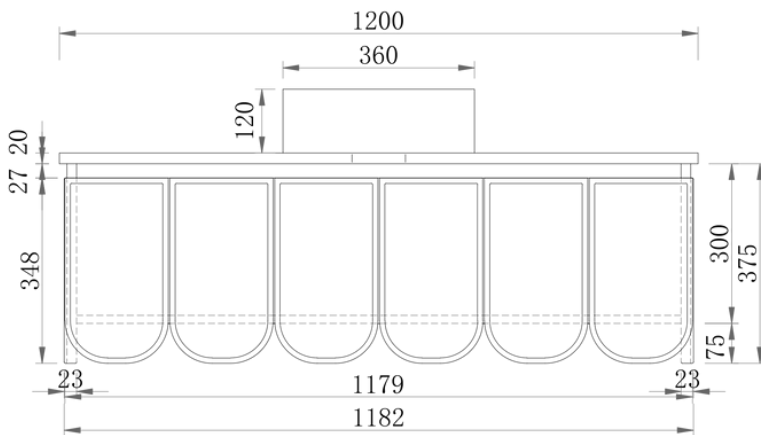
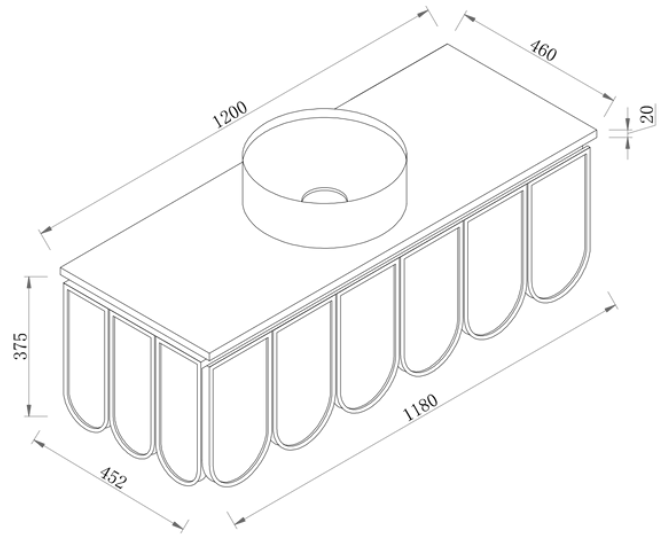


Finn

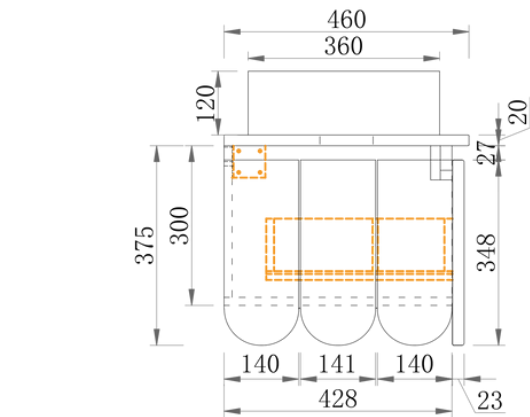


Finn 1200 Single - 2024

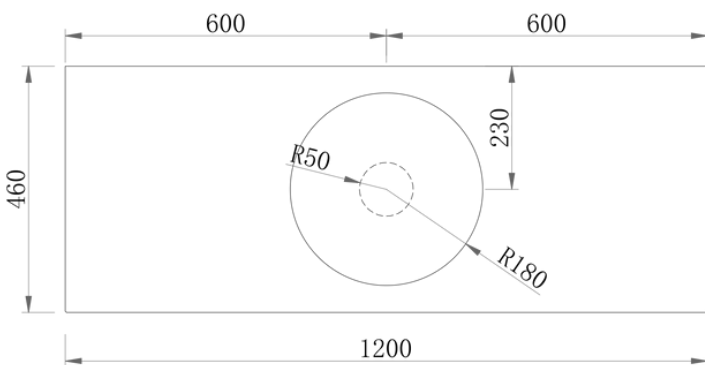
Cabinet Size: 1180mm (L) X 450mm (D) X 375mm (H)
 Top Size: 1200mm (L) X 460mm (D) X 20mm (H)
 Type: Wall Hung
 Basin: Client to nominate
 No Tap Holes, Tapware to be wall-mounted



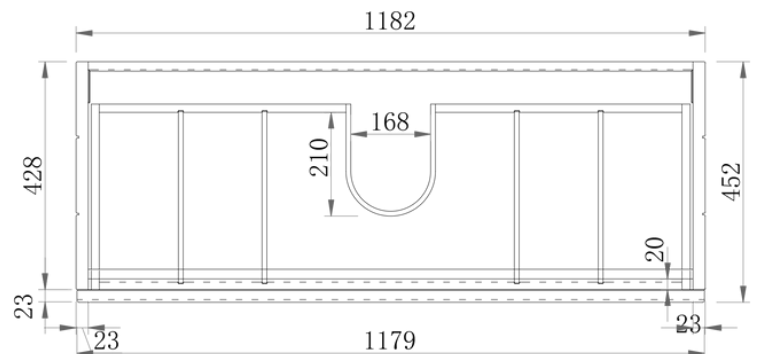
Front Elevation



Section Side



Top View



Section Top - Drawer Inserts

Notes:

- Wastes and faucets are not included.
- Vanity unit must be installed by a qualified tradesmen - Failure to do so will void the warranty.
- Plumbing fixtures must be installed by a qualified plumber - Failure to do so will void the warranty.
- Warranty information: 5 years on cabinet & 12 months on top and basin(s).
- Caution boxes may be heavy and will require 2 people to lift.



vanitybydesign.com.au



vanitybydesign_



TEL: 07 3376 6055



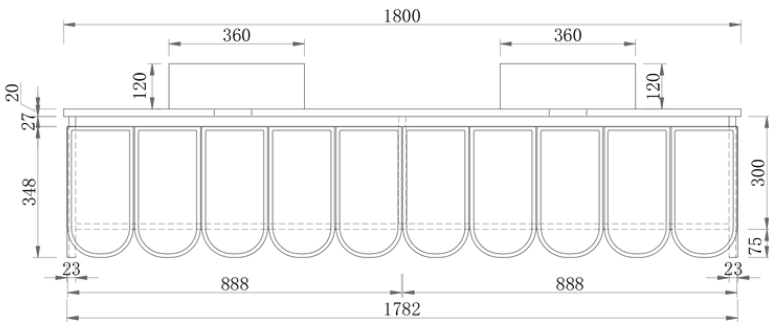
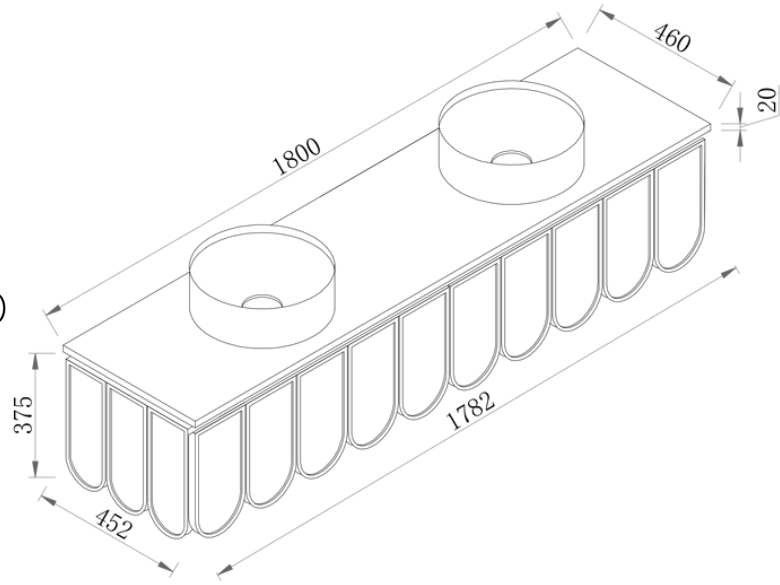
241 Monier Road
 Darra, QLD, 4076

Finn

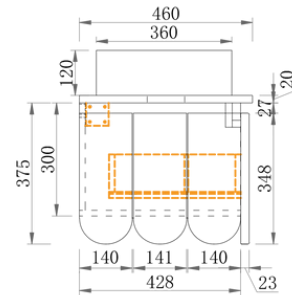


Finn 1800 Double - 2024

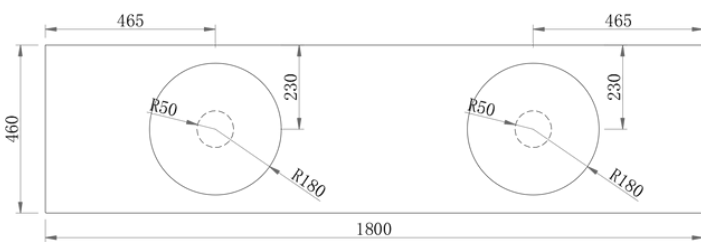
Cabinet Size: 1780mm (L) X 450mm (D) X 375mm (H)
 Top Size: 1800mm (L) X 460mm (D) X 20mm (H)
 Type: Wall Hung
 Basin: Client to nominate
 No Tap Holes, Tapware to be wall-mounted



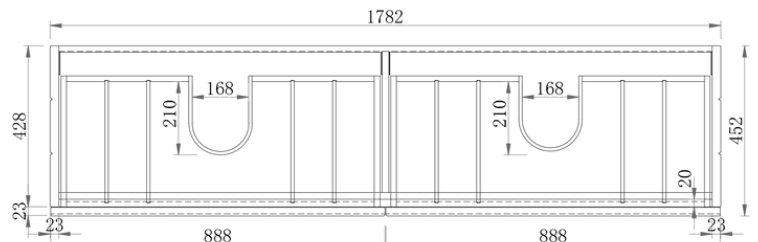
Front Elevation



Section Side



Top View



Section Top - Drawer Inserts

Notes:

- Wastes and faucets are not included.
- Vanity unit must be installed by a qualified tradesmen - Failure to do so will void the warranty.
- Plumbing fixtures must be installed by a qualified plumber - Failure to do so will void the warranty.
- Warranty information: 5 years on cabinet & 12 months on top and basin(s).
- Caution boxes may be heavy and will require 2 people to lift.



vanitybydesign.com.au



vanitybydesign_



TEL: 07 3376 6055



241 Monier Road
 Darra, QLD, 4076

Vanity

BY DESIGN



vanitybydesign.com.au



[vanitybydesign_](https://www.instagram.com/vanitybydesign_)



TEL: 07 3376 6055



241 Monier Road
Darra, QLD, 4076