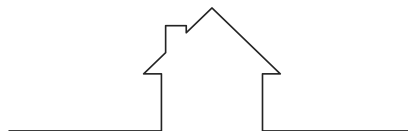


Vanity
BY DESIGN

Harper
collection

20
24



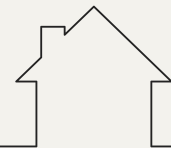
House Collection

Harper 900 Single

Harper 1200 Single

Harper 1500 Double

Rubie 460



House Collection



Harper 900



Harper 1200



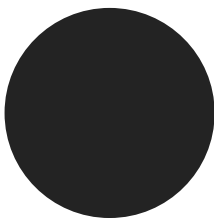
Harper 1500 Double



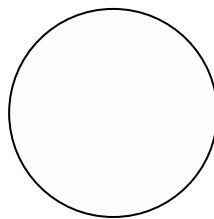
Rubie 460

Cabinet Finish

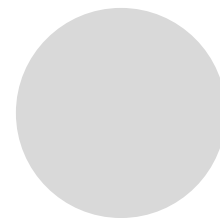
Choose your paint finish | Custom Paint also available upon request



VBD Black



VBD White



VBD South Hampton Grey

Bench Top

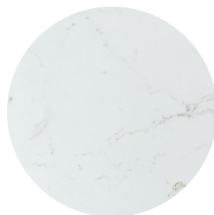
Subject to availability and chosen design



Italian Carrara
Natural Marble



Snow-Blanc
Crystalline Silica-Free
(Engineered Stone)



Ayla
Crystalline Silica-Free
(Engineered Stone)



Brushed Gold



Chrome

Handles

Choose a finish



Harper collection

– a testament to classic, enduring design that has been a bestseller for over 15 years.

Whether in a traditional or contemporary bathroom, these shaker cabinets, with a legacy spanning two centuries, remain perpetually stylish. Harper embodies timeless beauty and elegance, making it the perfect choice to elevate and enrich your space.

Harper 900 | Single Basin

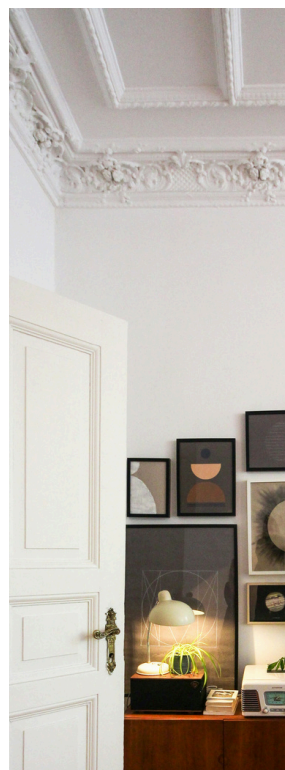
900 Length x 500 Depth x 880 Height

Harper 1200 | Single Basin

1200 Length x 500 Depth x 880 Height

Harper 1500 | Double Basin

1500 Length x 500 Depth x 880 Height

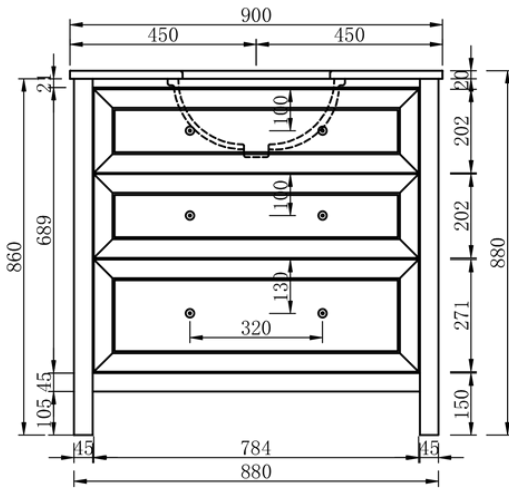
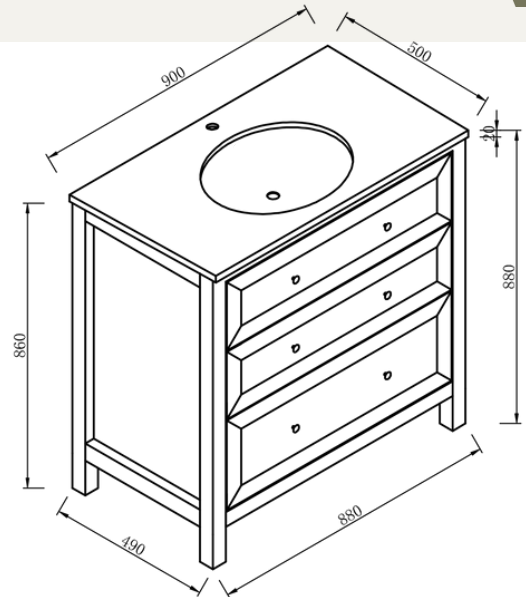


Harper

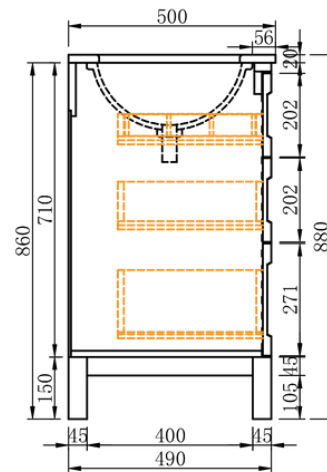


Harper 900 Single - 2024

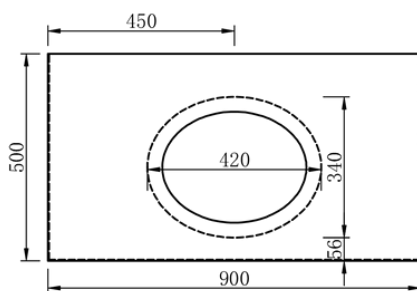
Cabinet Size: 880mm (L) X 490mm (D) X 860mm (H)
Top Size: 900mm (L) X 500mm (D) X 20mm (H)
Type: Freestanding
Basin: Oval Under-mount Ceramic Basin
Tap Hole: Client to nominate



Front Elevation



Section Side



Top View

Notes:

- Wastes and faucets are not included.
- Vanity unit must be installed by a qualified tradesmen - Failure to do so will void the warranty.
- Plumbing fixtures must be installed by a qualified plumber - Failure to do so will void the warranty.
- Warranty information: 5 years on cabinet & 12 months on top and basin(s).
- Caution boxes may be heavy and will require 2 people to lift.



vanitybydesign.com.au



[vanitybydesign_](https://www.instagram.com/vanitybydesign_)



TEL: 07 3376 6055



241 Monier Road
Darra, QLD, 4076

Harper



Harper 1200 Single - 2024

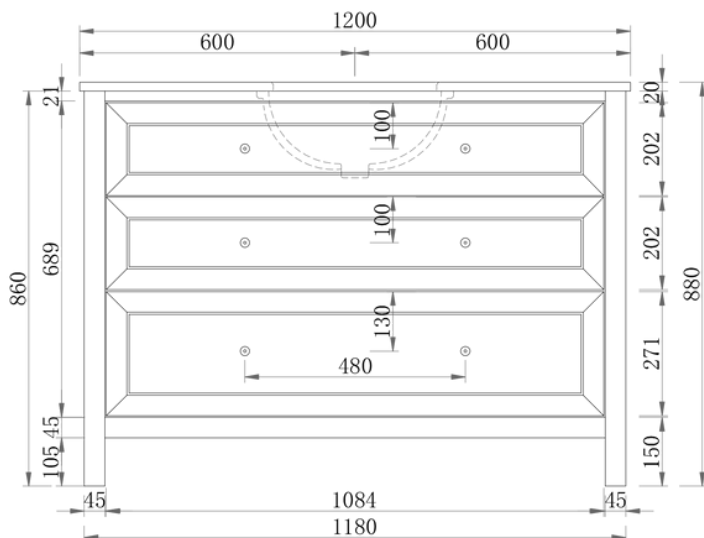
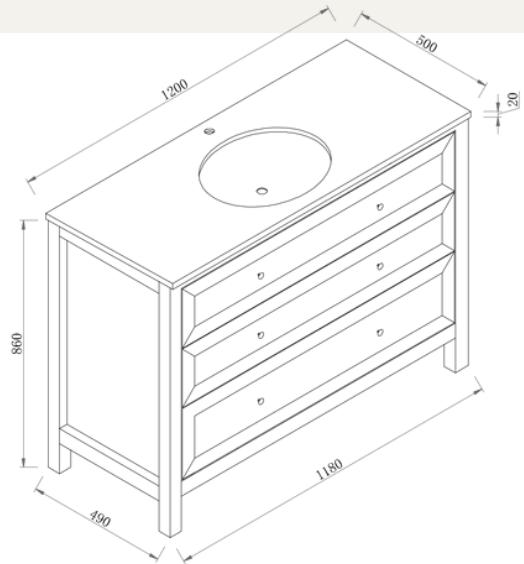
Cabinet Size: 1180mm (L) X 490mm (D) X 860mm (H)

Top Size: 1200mm (L) X 500mm (D) X 20mm (H)

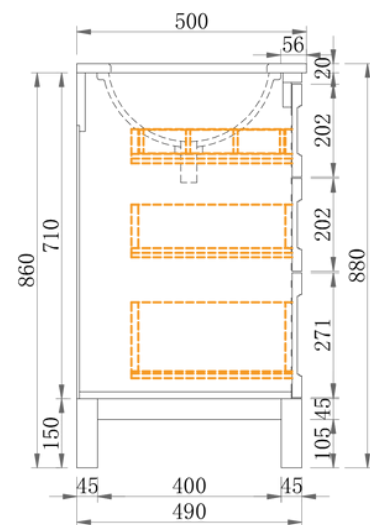
Type: Freestanding

Basin: Oval Under-mount Ceramic Basin

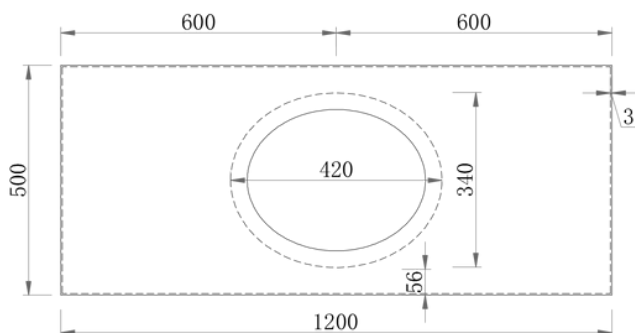
Tap Hole: Client to nominate



Front Elevation



Section Side



Top View

Notes:

- Wastes and faucets are not included.
- Vanity unit must be installed by a qualified tradesmen - Failure to do so will void the warranty.
- Plumbing fixtures must be installed by a qualified plumber - Failure to do so will void the warranty.
- Warranty information: 5 years on cabinet & 12 months on top and basin(s).
- Caution boxes may be heavy and will require 2 people to lift.



vanitybydesign.com.au



[vanitybydesign_](https://www.instagram.com/vanitybydesign_)



TEL: 07 [3376 6055](tel:0733766055)



241 Monier Road
Darra, QLD, 4076

Harper



Harper 1500 Double - 2024

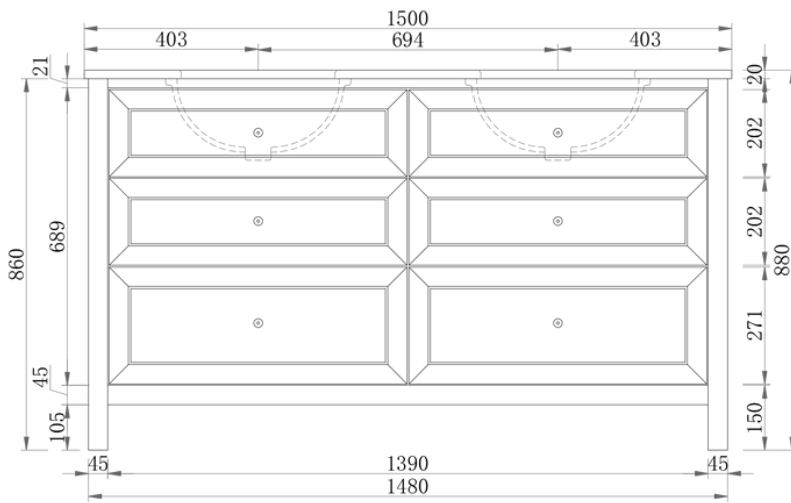
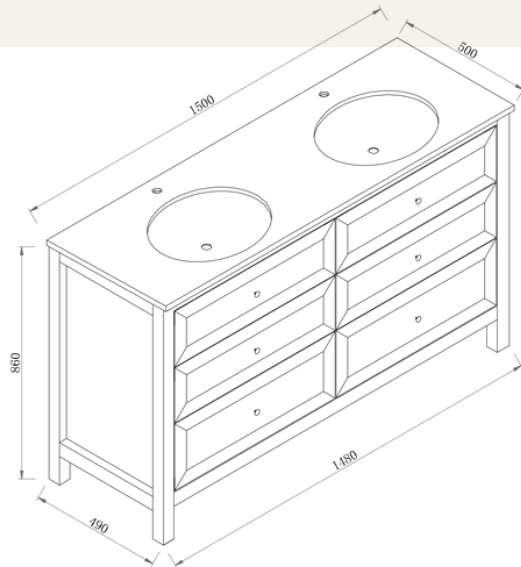
Cabinet Size: 1480mm (L) X 490mm (D) X 860mm (H)

Top Size: 1500mm (L) X 500mm (D) X 20mm (H)

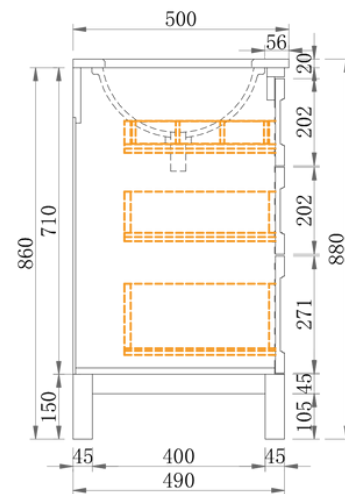
Type: Freestanding

Basin: Oval Under-mount Ceramic Basin

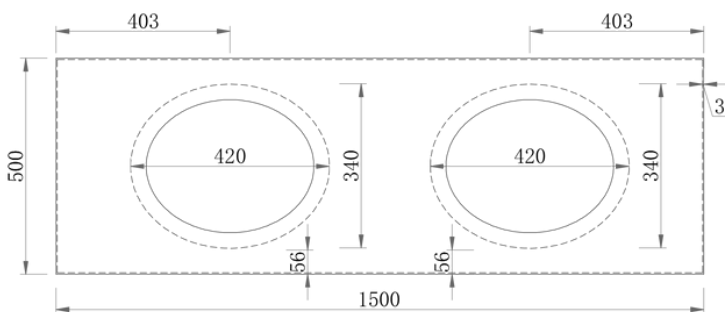
Tap Hole: Client to nominate



Front Elevation



Section Side



Top View

Notes:

- Wastes and faucets are not included.
- Vanity unit must be installed by a qualified tradesmen - Failure to do so will void the warranty.
- Plumbing fixtures must be installed by a qualified plumber - Failure to do so will void the warranty.
- Warranty information: 5 years on cabinet & 12 months on top and basin(s).
- Caution boxes may be heavy and will require 2 people to lift.



vanitybydesign.com.au



[vanitybydesign_](https://www.instagram.com/vanitybydesign_)



TEL: 07 [3376 6055](tel:33766055)



241 Monier Road
Darra, QLD, 4076



Rubie

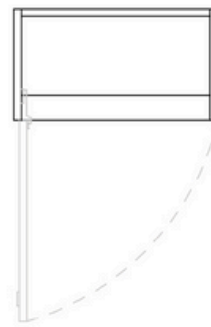
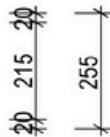
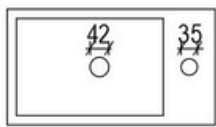
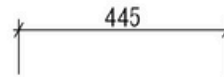
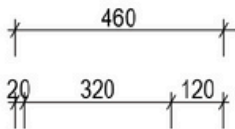
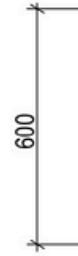
Rubie 460

Overall Size: 460mm (L) X 255mm (D) X 600mm (H)

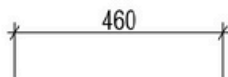
Type: Wall-Hung

Custom Paint Options

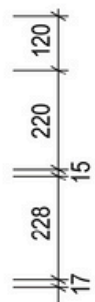
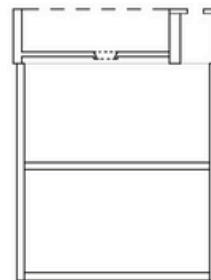
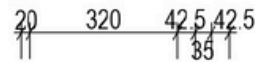
*Only Suitable for Mixer Tap



Top View



Section Top



Front Elevation

Section

Notes:

- Wastes and faucets are not included.
- Vanity unit must be installed by a qualified tradesmen - Failure to do so will void the warranty.
- Plumbing fixtures must be installed by a qualified plumber - Failure to do so will void the warranty.
- Warranty information: 5 years on cabinet & 12 months on top and basin(s).
- Caution boxes may be heavy and will require 2 people to lift.



vanitybydesign.com.au



[vanitybydesign_](https://www.instagram.com/vanitybydesign_)



TEL: 07 3376 6055



241 Monier Road
Darra, QLD, 4076

V

Customer Photos



@ Leandra Tuck

Vanity

BY DESIGN



vanitybydesign.com.au



[vanitybydesign_](https://www.instagram.com/vanitybydesign_)



TEL: 07 3376 6055



241 Monier Road
Darra, QLD, 4076